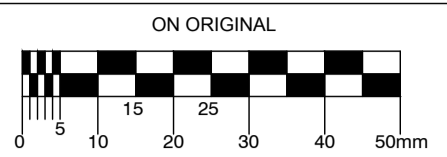


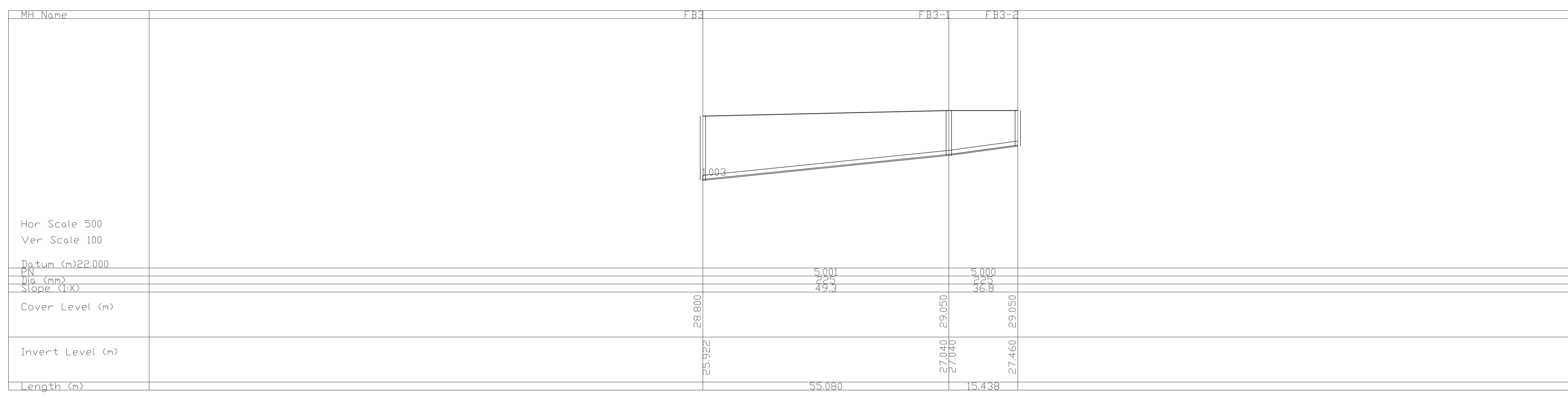
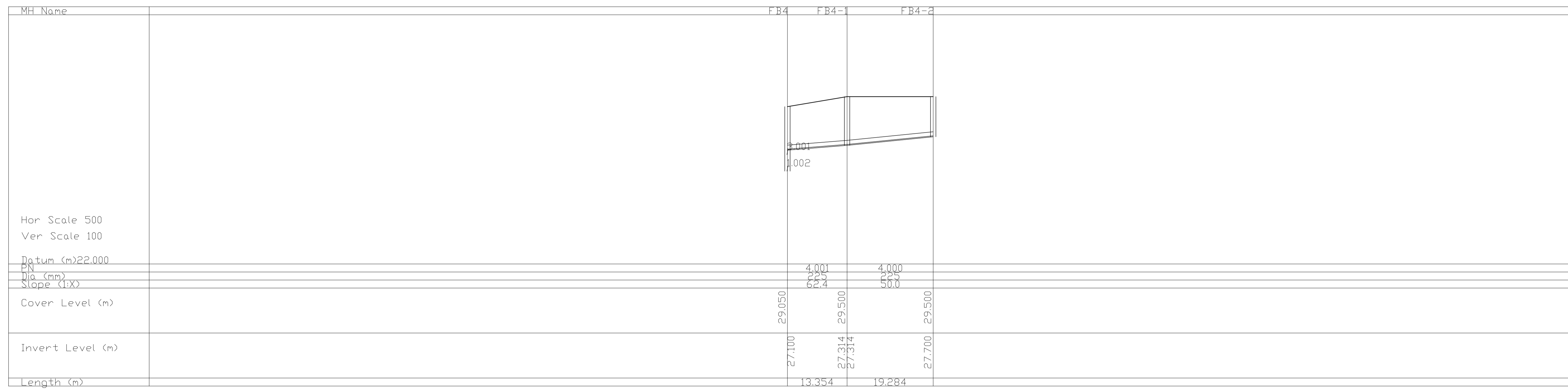
© COPYRIGHT OF THIS DRAWING IS RESERVED BY DBFL CONSULTING ENGINEERS. NO PART SHALL BE REPRODUCED OR TRANSMITTED WITHOUT THEIR WRITTEN PERMISSION.



- NOTES:
- ALL DRAWINGS TO BE CHECKED BY CONTRACTOR ON SITE AND ENGINEER INFORMED OF DISCREPANCIES BEFORE WORK COMMENCES
 - ALL LEVELS ARE IN METRES AND ARE RELATED TO ORDNANCE DATUM
 - CONTRACTOR SHALL SATISFY HIMSELF AS TO THE ACCURACY OF PAVEMENT LEVELS ON SITE PRIOR TO COMMENCEMENT OF WORKS ON SITE
 - ALL WORKS TO BE CONSTRUCTED IN ACCORDANCE WITH THE NRA SPECIFICATION FOR ROAD WORKS UNLESS NOTED OTHERWISE
 - MANHOLE COVER LEVELS ARE TO CONFORM WITH FINISHED ROAD AND PATH LEVELS
 - WHERE COVER TO PIPE IS LESS THAN 1200mm (ROAD/PATH/VERGE) OR 900mm (OPEN SPACE) SURROUND PIPE IN MINIMUM 150mm C20 GRADE ST4 CONCRETE

KEY

— PROPOSED GROUND PROFILE



REV.	DATE	DESCRIPTION	BY	CHKD.
PLANNING				
DESIGNED	NCG	PREPARED	PJC	
DATE	OCT 2019	CHECKED	DJR	

DUBLIN OFFICE: Omphid House,
 Upper Omphid Quay, Dublin 7, Ireland.
 PHONE +353 1 400 4000
 FAX +353 1 400 4050

 WATERFORD OFFICE: Unit 2, The Chandlery,
 1-2 O'Connell Street, Waterford, Ireland.
 PHONE +353 51 309 500
 FAX +353 51 844 913

 DBFL Consulting Engineers email: info@dbfl.ie site: www.dbfl.ie

PROJECT
KNOCKNACARRA DISTRICT CENTRE, RAHOON, GALWAY.

DRG. TITLE
LONGITUDINAL SECTIONS THROUGH FOUL SEWER SHEET 3

ARCHITECT
REDDY ARCHITECTS

SCALE H 1:500, V 1:100 @A1 FILE REF. 180191-3021

DRG. NO. **180191-3023**